



**GAI-TRONICS® CORPORATION**  
A HUBBELL COMPANY

# Model 234SBM Stanchion Broadcast Module

## Confidentiality Notice

This manual is provided solely as an operational, installation, and maintenance guide and contains sensitive business and technical information that is confidential and proprietary to GAI-Tronics. GAI-Tronics retains all intellectual property and other rights in or to the information contained herein, and such information may only be used in connection with the operation of your GAI-Tronics product or system. This manual may not be disclosed in any form, in whole or in part, directly or indirectly, to any third party.

## General Information

The Model 234SBM Stanchion Broadcast Module is designed to upgrade an existing Model 234 Stanchion for performing high-quality public address. The stanchion broadcast module broadcasts audio that is received via the VHF or UHF module, or a 600-ohm line. Speaker configuration permits a 360° broadcast coverage pattern.

The Model 84507-201 Stanchion Module measures 10 W × 10 D × 18 H inches, and is constructed from 3/16-inch hot-rolled steel with a powder-coat finish.

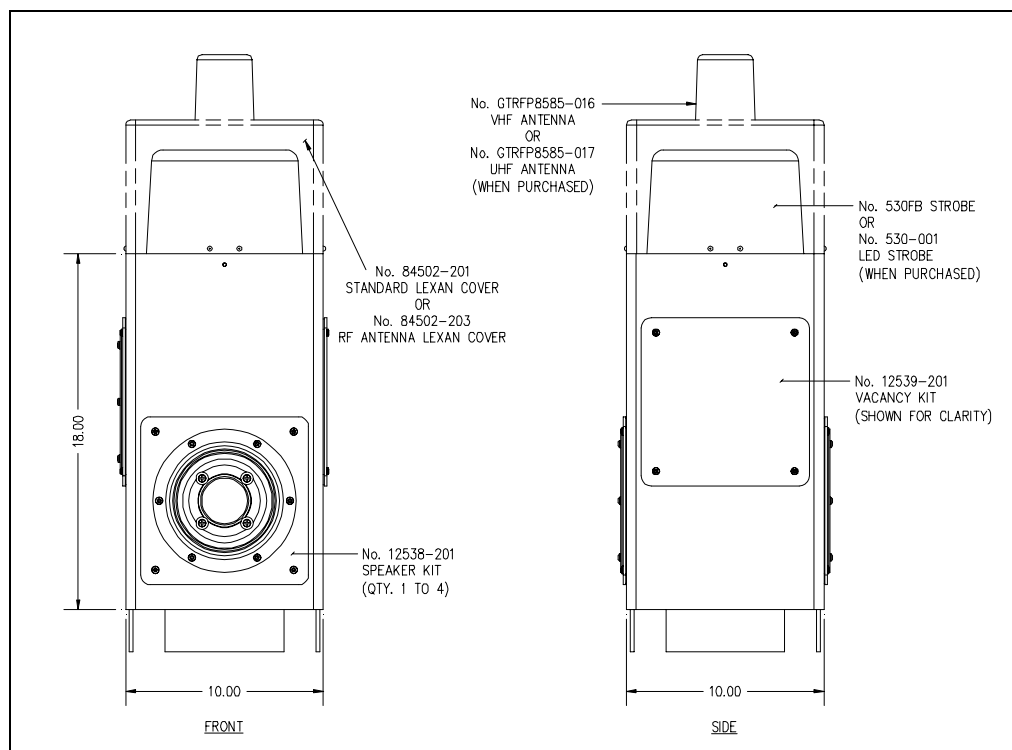


Figure 1.

The following kits are available for use with the Model 234SBM:

- Model 10458-101 Paging Module consisting of 600-ohm line, power supply and terminal connections.
- Model 10458-102 Paging Module consisting of a VHF radio module, power supply and terminal connections.
- Model 10458-103 Paging Module consisting of a UHF radio module, power supply and terminal connections.
- Model 12538-201 Speaker Kit, consisting of a speaker and wiring harness to connect to the Paging Module.
- Model 12539-201 Vacancy Kit, consisting of a plate to cover any speaker openings not used.
- Model 12510-002 Small Access Panel Kit
- Model 12510-003 Large Access Panel Kit
- Model 12234-100 Dual-Band Antenna Kit consisting of a dual-band antenna, grounding plane, Lexan cover with mounting hole, NMO antenna mount with 17-feet of cable and BNC connector
- Model 40201-010 Battery, 2.8 Ah

## Installation

The following sections provide specific information for SBM. This manual also provides the overall interconnection instructions for the stanchion and its ancillary equipment.

## Safety Guidelines

When installing any GAI-Tronics equipment, please adhere to the following guidelines to ensure the safety of all personnel:

- NEVER install telephone wiring during a lightning storm.
- NEVER install telephone jacks in wet locations unless the jack is specifically designed for wet locations.
- USE CAUTION when installing or modifying telephone lines.
- DO NOT install antenna near electric power lines.
- ALWAYS remove power from the stanchion before removing the strobe.

## Stanchion Broadcast Module Installation

**NOTE:** For ease of installation, it is suggested that the Stanchion Broadcast Module be mounted to the top of the existing 234 Series Stanchion before installing the speaker kits. This will reduce the weight of the module and allow more areas to handle it.

1. Before installing the stanchion broadcast module, the existing strobe lens cover and strobe must be first removed from the 234 Series Stanchion. To disassemble the lens cover, remove the four #10-32 screws from each side of the stanchion and lift off the lens cover.
2. Before disassembling the strobe, be sure to disconnect all the power and control wires from their termination points. Remove the strobe by unscrewing it from the threaded nipple at the top of the stanchion. Remove all wires from the nipple and place the assembly aside.
3. Before placing the stanchion broadcast module on the top of the 234 Series Stanchion, the existing four #10-32 tapped holes must be drilled out to 0.313 inches. These holes will later be used to secure the stanchion broadcast module.
4. Place the stanchion broadcast module on top of the 234 Series Stanchion, sliding the module flanges into the recessed top.
5. With the stanchion broadcast module now resting on the top of the 234 Series Stanchion, mark the center of each of the four drilled 0.313 holes on the module flanges. Drill a 0.232 hole in each of these four hole locations.
6. Use the supplied #1/4-20 stainless steel, self-threading screws to secure each flange. Be sure to adequately drive and tighten these screws against the 234 Series Stanchion. Use all four screws to properly secure the stanchion module. The four 1/4-20 stainless steel, self-threading screws are supplied with Model 12510-002 Small Access Panel Kit or Model 12510-003 Large Access Panel Kit.
7. Follow the instructions for strobe installation contained on page 4 to secure the strobe before installing the speaker assemblies. Follow the instructions in Pub. 42003-220 to install the antenna kit before installing the speaker assemblies.

## Strobe Installation

Before installing the antenna kit, mount the strobe according to the instructions below.

1. Insert the new strobe's seven 15-foot wires through the stanchion module's threaded nipple (center hole), and through the threaded nipple on the existing stanchion. Allow the wires to extend to the base of the stanchion. See Figure 2.

**NOTE:** Wire lengths may need to be extended prior to feeding them through the threaded nipples.

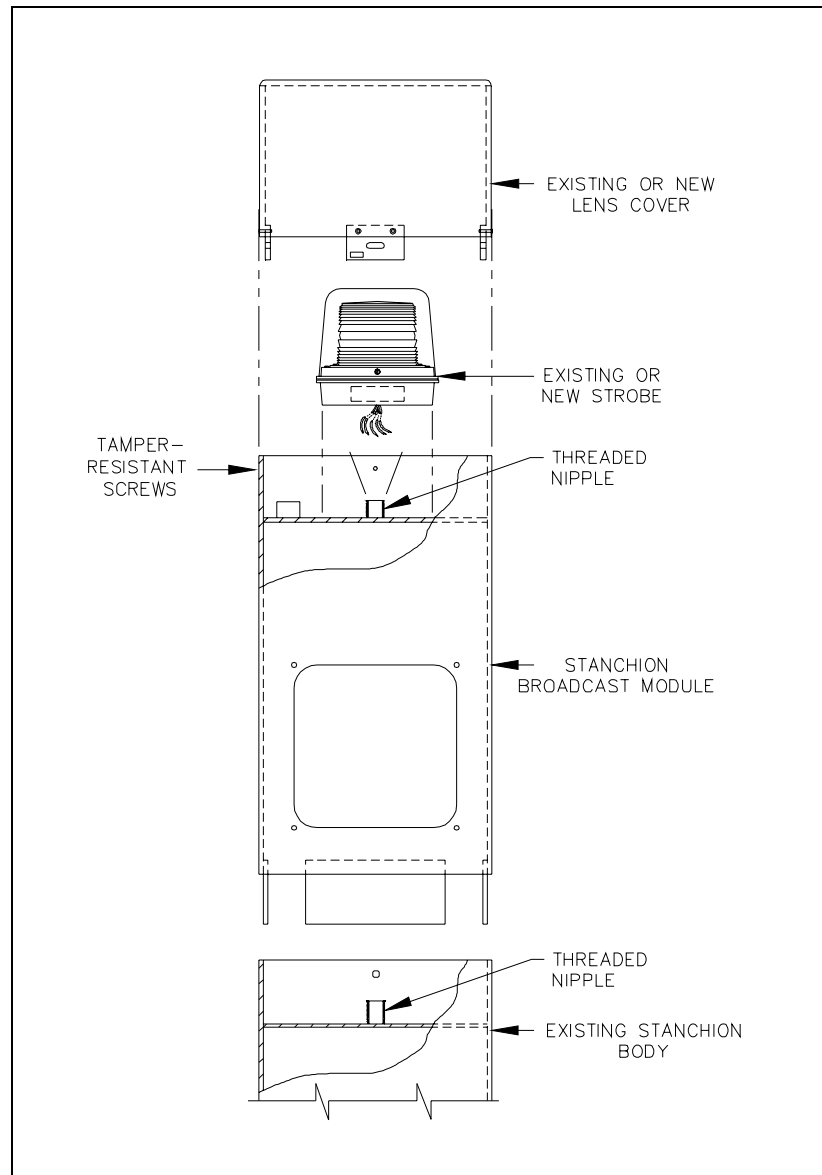


Figure 2.

2. Screw the strobe onto the threaded nipple.
3. Separate the orange and violet wires necessary for the telephone connection, and extend those wires through the stanchion cutout for the telephone; or extend the wires down to the opening for the access panel in the rear of the stanchion body for connection to the paging module.

## Model 12234-100 Dual-Band Antenna Kit

Refer to Pub. 42003-220 for installation of the antenna kit (when applicable.)

## Model 12538-201 Speaker Kit & 12539-201 Vacancy Kit Installation

Refer to Pub. 42003-221 for installation of speaker and vacancy kits.

## Model 40201-010 Battery Installation

1. Batteries are shipped separately and are to be installed on site. Pay strict attention to battery polarity, as reverse power will cause damage to internal components.
2. Make the wiring connection to the electronics module labeled 12V BATTERY (red+, black-) with battery cable. It is recommended that this be left disconnected from the module until you are ready to power up the unit.
3. Attach the fast-on connectors to the batteries observing polarity (red+, black-) per drawing 73520.
4. Secure the batteries into L-bracket inside stanchion under phone opening.

**NOTE:** If the stanchion body does not have any L-brackets, the battery must be set in the bottom of the stanchion to the side, away from the conduit entries.

Refer to Pub. 42004-415, Model 10458-10x Electronics Paging Module Manual for interconnections and installation.

## Maintenance

### Repairing Surface Damage to Powder-Coated Stanchions

1. Carefully sand the damaged area to clean and score the base metal, taking care to minimize any additional damage to the surrounding powder coating.
2. Wipe the sanded area with a cleaning solvent, such as DuPont "PrepSol." Allow the area to dry. This type of product is available at auto parts stores. Denatured alcohol may also be used.
3. Prepare the bare metal surface for painting by treating it with phosphoric acid solution intended for this purpose. Allow the area to dry.
4. Using a cotton swap or small brush, paint the prepared surface with an automotive enamel or oil base polyurethane enamel such as Red Devil or Rustoleum. DO NOT USE Krylon-type paints. Carefully blend the repair enamel into the powder coat at the edges.

**NOTE:** EXACT color matches may not be attainable.

## Specifications

Dimensions .....	10 W × 10 D × 18 H inches (0.25 × 0.25 × 0.46 m)
Wall thickness .....	3/16-inch hot rolled steel
Finish .....	Powdered coated

# Warranty

---

Equipment. GAI-Tronics warrants for a period of one (1) year from the date of shipment, that any GAI-Tronics equipment supplied hereunder shall be free of defects in material and workmanship, shall comply with the then-current product specifications and product literature, and if applicable, shall be fit for the purpose specified in the agreed-upon quotation or proposal document. If (a) Seller's goods prove to be defective in workmanship and/or material under normal and proper usage, or unfit for the purpose specified and agreed upon, and (b) Buyer's claim is made within the warranty period set forth above, Buyer may return such goods to GAI-Tronics' nearest depot repair facility, freight prepaid, at which time they will be repaired or replaced, at Seller's option, without charge to Buyer. Repair or replacement shall be Buyer's sole and exclusive remedy. The warranty period on any repaired or replacement equipment shall be the greater of the ninety (90) day repair warranty or one (1) year from the date the original equipment was shipped. In no event shall GAI-Tronics warranty obligations with respect to equipment exceed 100% of the total cost of the equipment supplied hereunder. Buyer may also be entitled to the manufacturer's warranty on any third-party goods supplied by GAI-Tronics hereunder. The applicability of any such third-party warranty will be determined by GAI-Tronics.

Services. Any services GAI-Tronics provides hereunder, whether directly or through subcontractors, shall be performed in accordance with the standard of care with which such services are normally provided in the industry. If the services fail to meet the applicable industry standard, GAI-Tronics will re-perform such services at no cost to buyer to correct said deficiency to Company's satisfaction provided any and all issues are identified prior to the demobilization of the Contractor's personnel from the work site. Re-performance of services shall be Buyer's sole and exclusive remedy, and in no event shall GAI-Tronics warranty obligations with respect to services exceed 100% of the total cost of the services provided hereunder.

Warranty Periods. Every claim by Buyer alleging a defect in the goods and/or services provided hereunder shall be deemed waived unless such claim is made in writing within the applicable warranty periods as set forth above. Provided, however, that if the defect complained of is latent and not discoverable within the above warranty periods, every claim arising on account of such latent defect shall be deemed waived unless it is made in writing within a reasonable time after such latent defect is or should have been discovered by Buyer.

Limitations / Exclusions. The warranties herein shall not apply to, and GAI-Tronics shall not be responsible for, any damage to the goods or failure of the services supplied hereunder, to the extent caused by Buyer's neglect, failure to follow operational and maintenance procedures provided with the equipment, or the use of technicians not specifically authorized by GAI-Tronics to maintain or service the equipment. **THE WARRANTIES AND REMEDIES CONTAINED HEREIN ARE IN LIEU OF AND EXCLUDE ALL OTHER WARRANTIES AND REMEDIES, WHETHER EXPRESS OR IMPLIED BY OPERATION OF LAW OR OTHERWISE, INCLUDING ANY WARRANTIES OF MERCHANTABILITY OR FITNESS FOR A PARTICULAR PURPOSE.**

## Return Policy

---

If the equipment requires service, contact your Regional Service Center for a return authorization number (RA#). Equipment should be shipped prepaid to GAI-Tronics with a return authorization number and a purchase order number. If the equipment is under warranty, repairs or a replacement will be made in accordance with the warranty policy set forth above. Please include a written explanation of all defects to assist our technicians in their troubleshooting efforts.

Call 800-492-1212 (inside the USA) or 610-777-1374 (outside the USA) for help identifying the Regional Service Center closest to you.